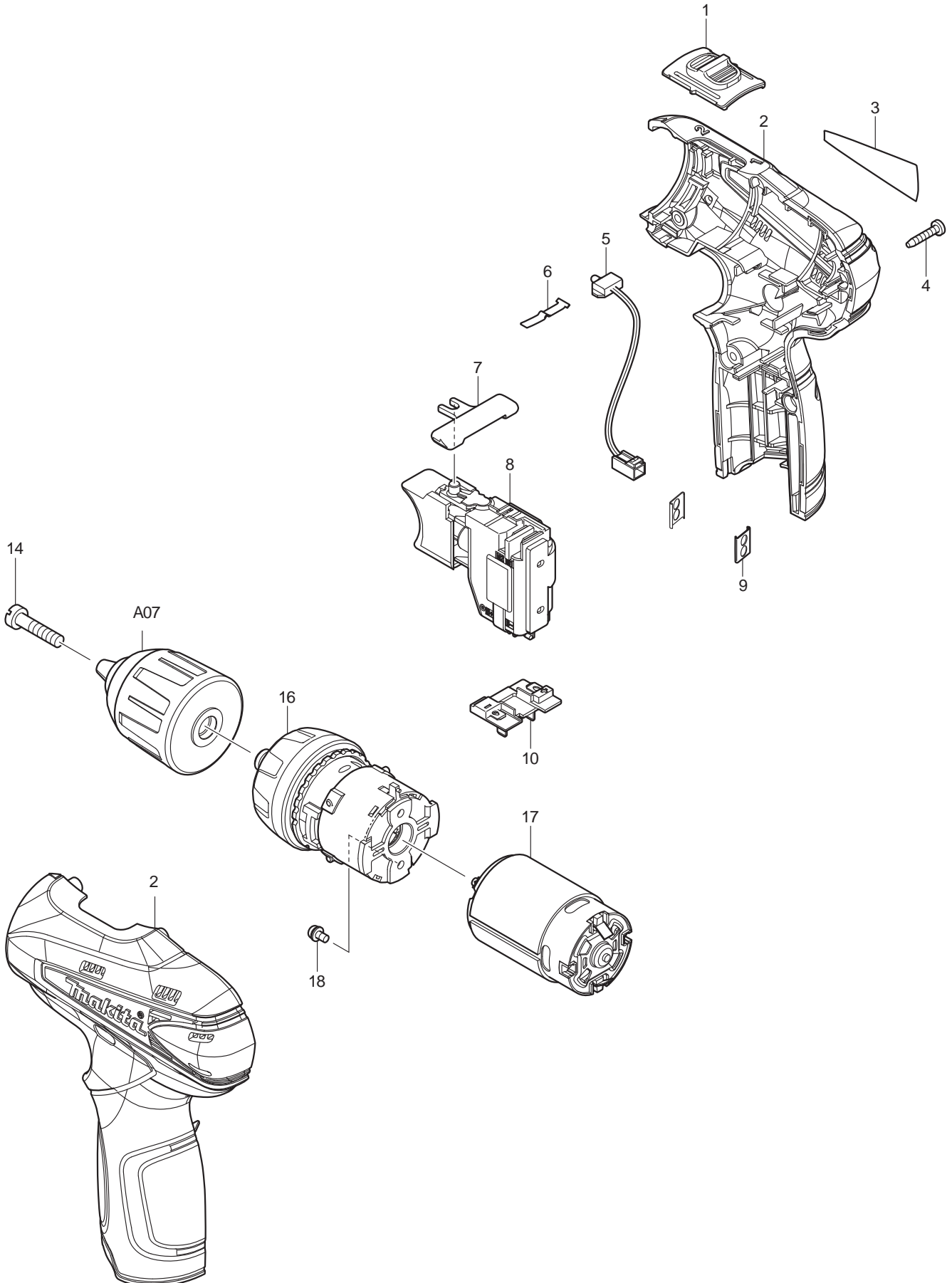




11 - 2010  
DF330D  
10.8V 3/8" DRIVER DRILL



| Item No.                  | Type | Sub  | Part No. | Description                                 | Q'ty | Unit |
|---------------------------|------|------|----------|---|------|------|
| 1                         |      |      | 125461-4 | SPEED CHANGE LEVER ASSEMBLY                 | 1    | PC.  |
|                           |      | INC. | 231433-0 | COMPRESSION SPRING 4                        | 2    | PC.  |
| 2                         |      |      | 188498-2 | HOUSING SET                                 | 1    | SET  |
| 3                         |      |      | 866201-8 | DF330D NAME PLATE                           | 1    | PC.  |
| 4                         |      |      | 266130-9 | TAPPING SCREW BIND PT 3X16                  | 6    | PC.  |
| 5                         |      |      | 631813-4 | LED CIRCUIT                                 | 1    | PC.  |
| 6                         |      |      | 232239-9 | LEAF SPRING                                 | 1    | PC.  |
| 7                         |      |      | 450504-6 | F/R CHANGE LEVER                            | 1    | PC.  |
| 8                         |      |      | 650599-1 | SWITCH C3HY-1A-LM                           | 1    | PC.  |
| 9                         |      |      | 345998-7 | SET PLATE                                   | 2    | PC.  |
| 10                        |      |      | 643830-2 | TERMINAL                                    | 1    | PC.  |
| 14                        |      |      | 251451-2 | - PAN HEAD SCREW M5X22                      | 1    | PC.  |
| 16                        |      |      | 125539-3 | GEAR ASSEMBLY                               | 1    | PC.  |
| 17                        |      |      | 629853-4 | DC MOTOR                                    | 1    | PC.  |
| 18                        |      |      | 911003-8 | PAN HEAD SCREW M3X6                         | 2    | PC.  |
| <b><u>ACCESSORIES</u></b> |      |      |          |   |      |      |
| A01                       |      |      | 168467-9 | HOLSTER                                     | 1    | PC.  |
| A02                       |      |      | DC10WA   | CHARGER DC10WA                              | 1    | PC.  |
| A03                       |      |      | 194551-4 | 10.8V LI-ION BATTERY BL1013 (1.3AH)         | 2    | PC.  |
| A04                       |      |      | 784244-7 | + BIT 2-50                                  | 1    | PC.  |
| A05                       |      |      | 824781-0 | PLASTIC CASE F/Storing Small Accessory(ies) | 1    | PC.  |
| A06                       |      |      | 824842-6 | PLASTIC CARRYING CASE                       | 1    | PC.  |
|                           |      | INC. | 417724-5 | LATCH                                       | 2    | PC.  |
| A07                       |      |      | 766007-3 | 3/8" KEYLESS DRILL CHUCK                    | 1    | PC.  |